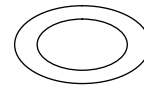
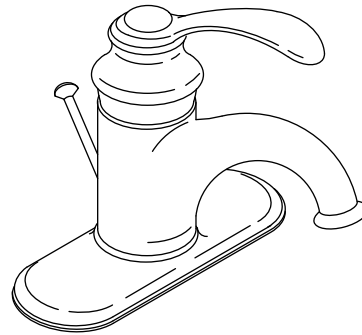


**BATHROOM SINK FAUCET  
K-12181  
ALSO K-12182**

**Features**

- Metal construction
- One-piece faucet, self-contained ceramic disc valve allows both volume and temperature control
- Temperature memory allows faucet to be turned on and off at any temperature setting
- High-temperature limit setting for added safety
- Lever handle
- Available with single-hole escutcheon ring or 6" (152 mm) escutcheon plate
- Available with metal or plastic drain
- 5" (127 mm) spout reach
- Pop-up drain with tailpiece
- Flexible supplies
- 1.5 gal/min (5.7 l/min) maximum flow rate

**ADA** **CSA B651** **OBC**



**Codes/Standards Applicable**

Specified model meets or exceeds the following at date of manufacture:

- ADA
- ICC/ANSI A117.1
- CSA B651
- OBC
- ASME A112.18.1/CSA B125.1
- NSF 61
- All applicable US Federal and State material regulations
- EPA WaterSense®

**Colors/Finishes**

- CP: Polished Chrome
- PB: Vibrant® Polished Brass
- Other: Refer to Price Book for additional colors/finishes

**Accessories**

- Other: Refer to Price Book for additional colors/finishes
- NA: None applicable

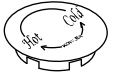
**Specified Model**

Model	Description	Color/Finish		
		<input type="checkbox"/> CP	<input type="checkbox"/> PB	<input type="checkbox"/> Other _____
K-12181	Bathroom sink faucet – with escutcheon plate and metal drain	<input type="checkbox"/> CP	<input type="checkbox"/> PB	<input type="checkbox"/> Other _____
K-12181-D	Bathroom sink faucet – with escutcheon plate and plastic drain	<input type="checkbox"/> CP	<input type="checkbox"/> PB	<input type="checkbox"/> Other _____
K-12182	Bathroom sink faucet – with escutcheon ring and metal drain	<input type="checkbox"/> CP	<input type="checkbox"/> PB	<input type="checkbox"/> Other _____
K-12182-D	Bathroom sink faucet – with escutcheon ring and plastic drain	<input type="checkbox"/> CP	<input type="checkbox"/> PB	<input type="checkbox"/> Other _____

**Product Specification**

The single-control bathroom sink faucet shall be of metal construction. Product shall feature 1.5 gal/min (5.7 l/min) maximum flow rate. Product shall feature a one-piece, self-contained ceramic disc valve, which allows both volume and temperature control, and temperature memory, which allows the faucet to be turned on and off at any temperature setting. Product shall feature a high-temperature limit setting for added safety. Product shall include a 5" (127 mm) spout reach, pop-up drain with tailpiece, flexible supplies, and lever handle. Product shall be available with a single-hole escutcheon ring or a 6" (152 mm) escutcheon plate, and metal or plastic drain. Faucet shall be Kohler Model K-\_\_\_\_\_-\_\_\_\_\_.

# FAIRFAX®

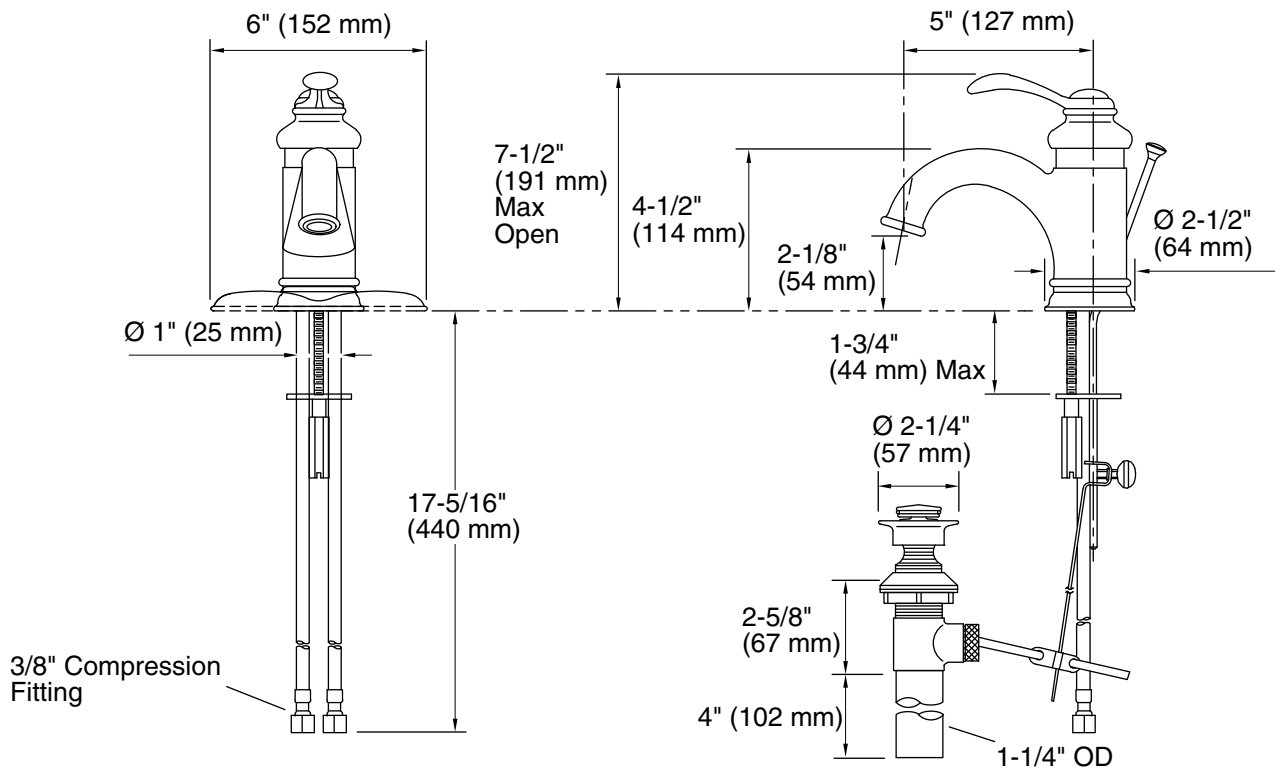
<b>Optional Accessories</b>		
K-12001	Single-control plug button	<input type="checkbox"/> Other _____
_____	Additional flow options are available (refer to the Kohler Price Book)	<input type="checkbox"/> NA

## Installation Notes

Install this faucet following the installation instructions provided.

Lower flow aerator options are available. Please refer to the Kohler Price Book.

**ADA, CSA B651, OBC** compliant when installed to the specific requirements of these regulations.



## Product Diagram